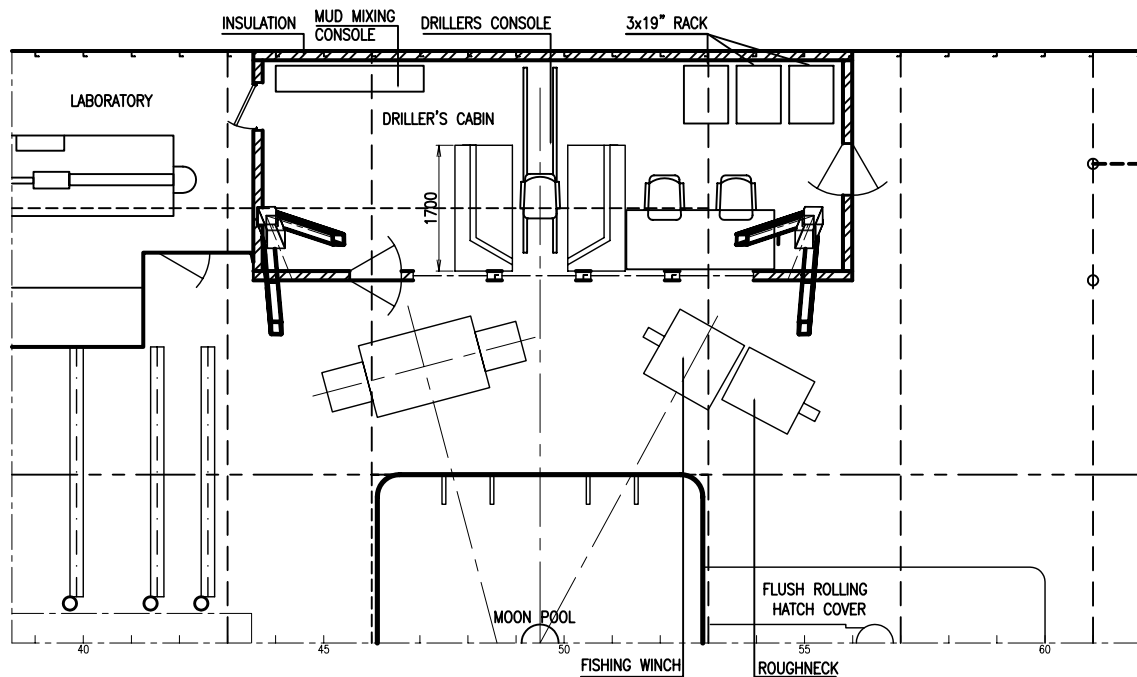
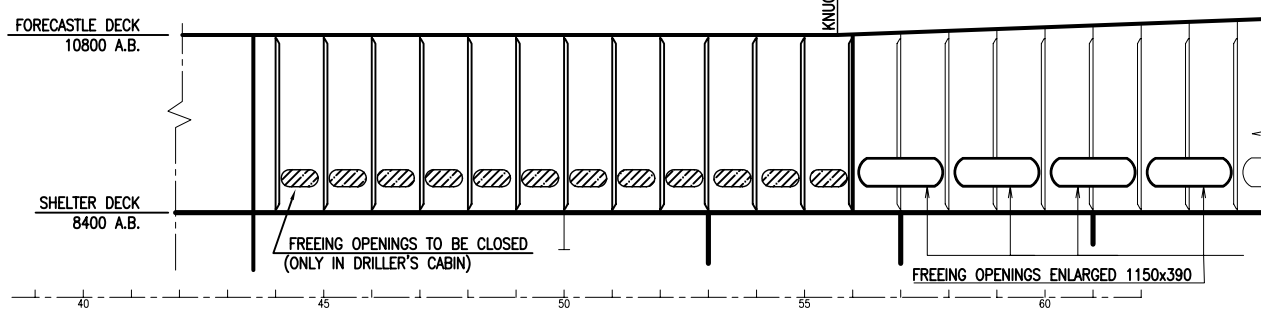


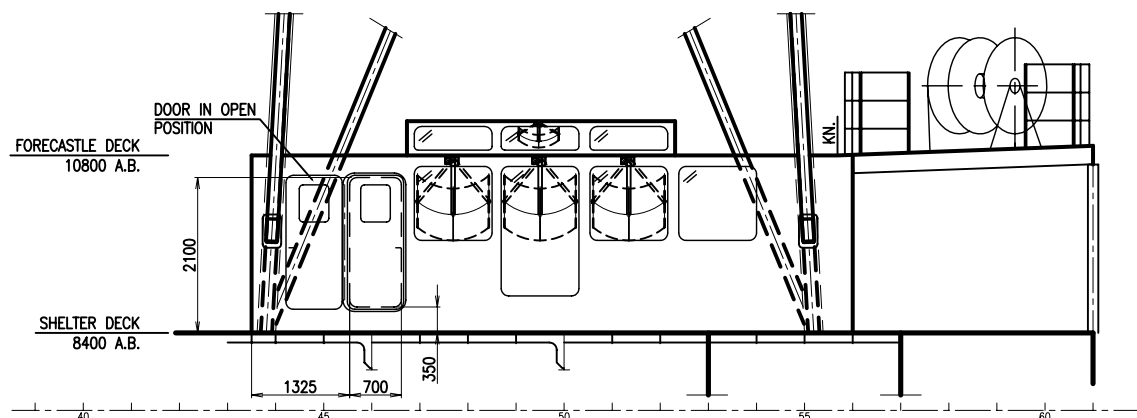
FORECASTLE DECK
10800 A.B. - 11100 A.B.



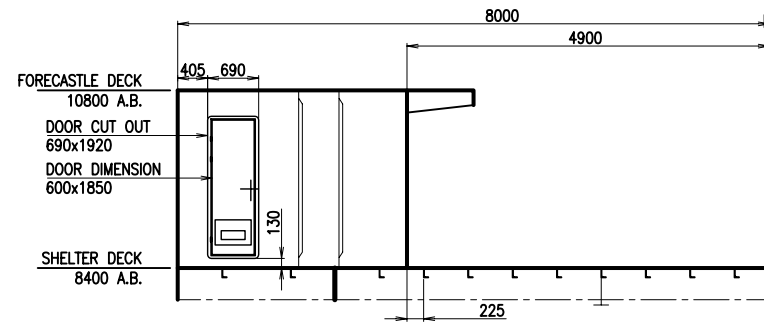
SHELTER DECK
8400 A.B.



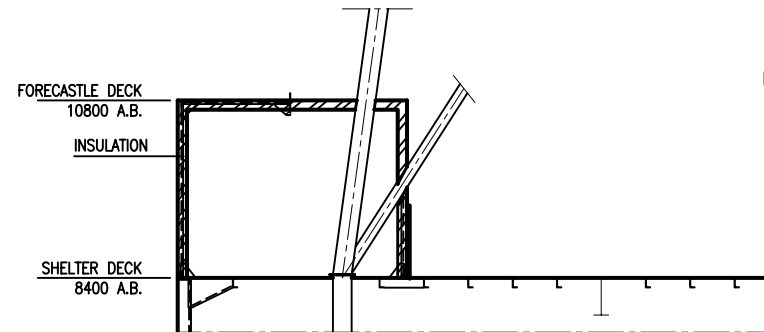
SIDE SHELL 8000 OFF C.L.



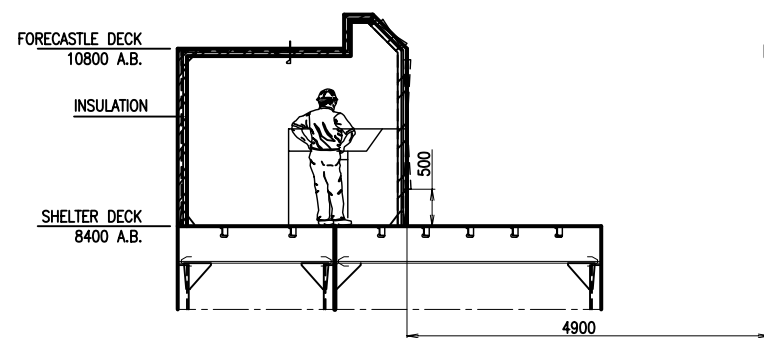
LONGITUDINAL BULKHEAD 4900 OFF C.L.



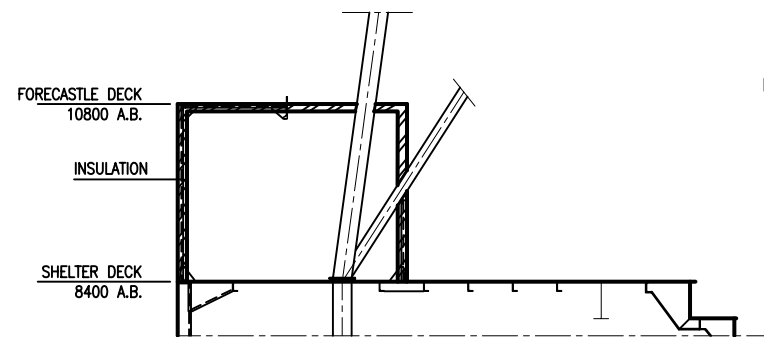
TRANSVERSE BULKHEAD FRAME 43.5



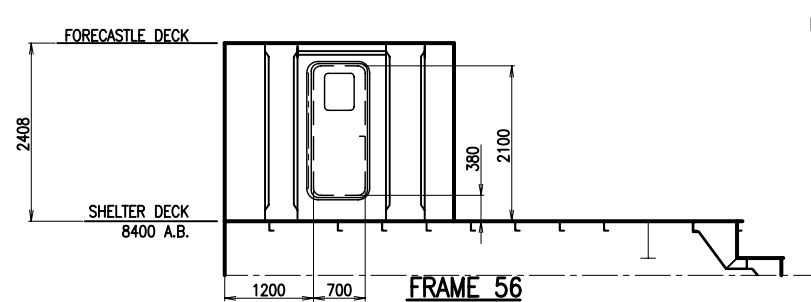
FRAME 44



FRAME 50



FRAME 55



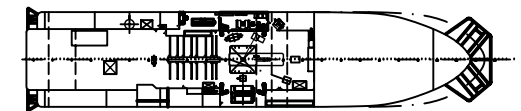
FRAME 56

REFERENCE DOCUMENTS

1. 2362-DND01001 VESSEL, PLAN VIEW DECKS, GENERAL ARRANGEMENT

KEY PLAN

SCALE 1 : 625



State/Rev.	Originator	Date	Description of revision	Checked	Approved
C3	Mee	21-01-04	ISSUE FOR COMMENTS AND/OR APPROVAL	Was	Was
C2	wSm	09-12-03	ISSUE FOR COMMENTS AND/OR APPROVAL	Was	Was
C1	wSm	04-12-03	ISSUE FOR COMMENTS AND/OR APPROVAL	Was	Was
P1	wSm	11-11-03	PRELIMINARY ISSUE FOR DISCIPLINE CHECK	Was	Was

IHC Gusto Engineering B.V.
P.O. Box 11
3100 AA Schiedam
The Netherlands

Copyright of IHC Gusto Engineering B.V. 2003

Project: **M/V BUCENTAUR**

Client: **FUGRO**

Title: **VESSEL DRILLER'S CABIN ARRANGEMENT**

Format	Projection Method	Scale	Project Number	Document Number	Sheet No./Sheets	Revision
A1		1:50	2362	DND15001	1 / 1	C3